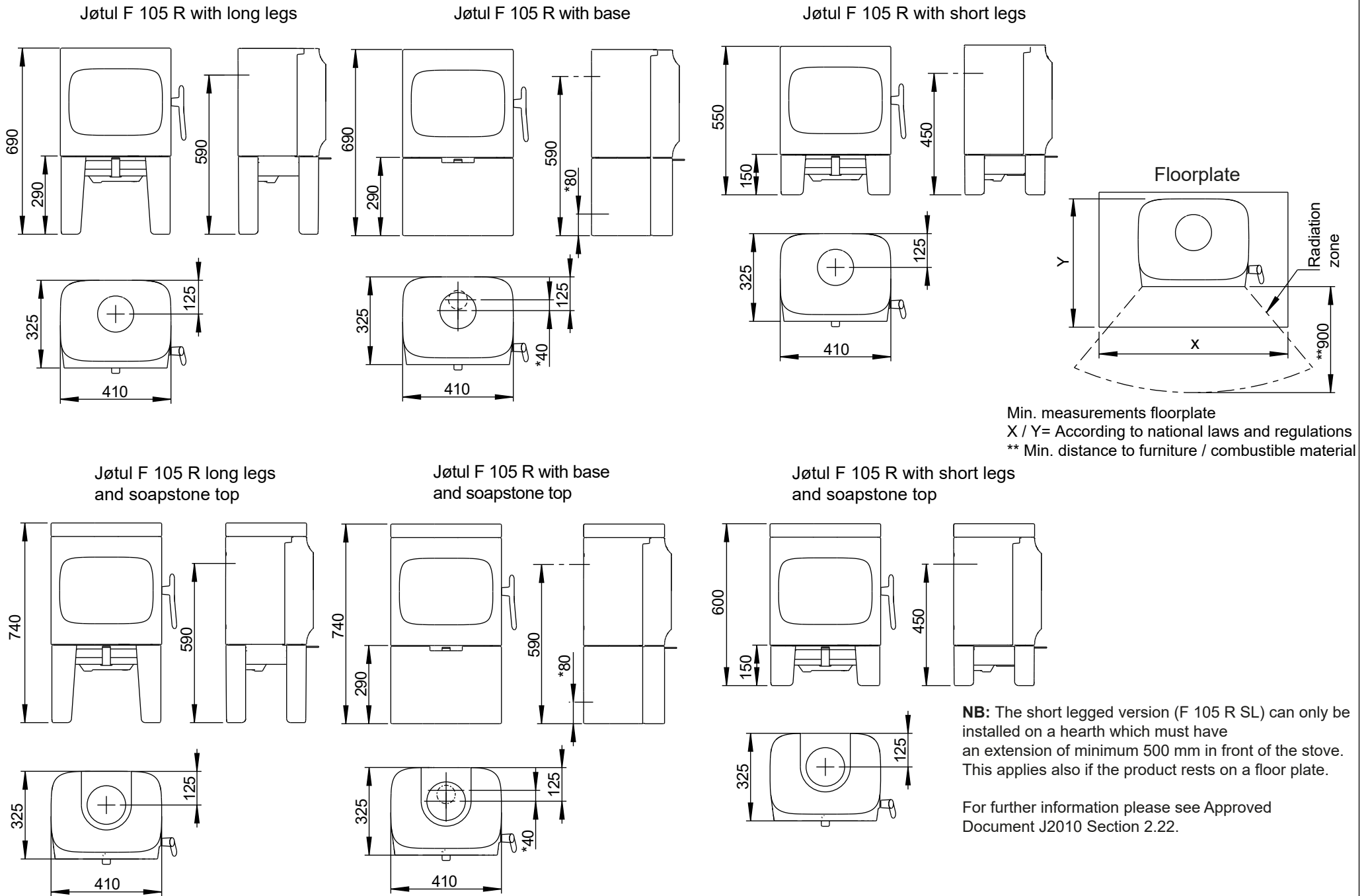


Fig. 1 a

Jøtul F 105 R



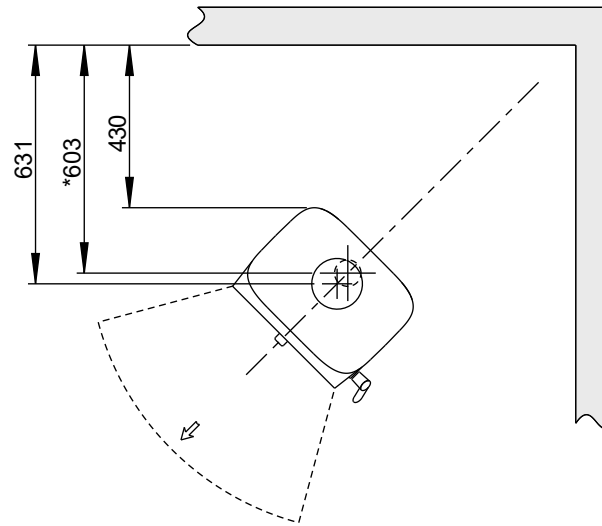
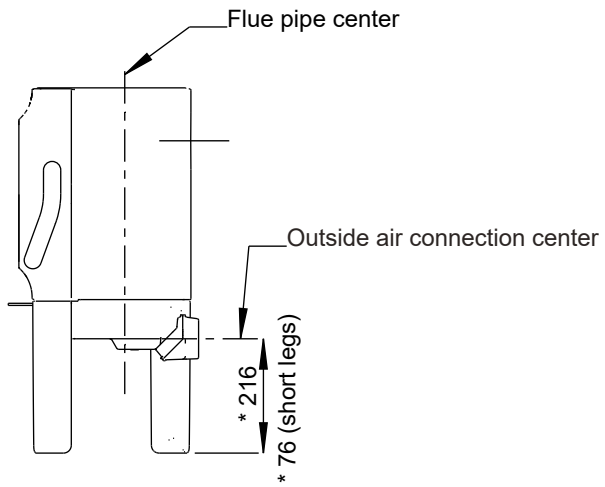
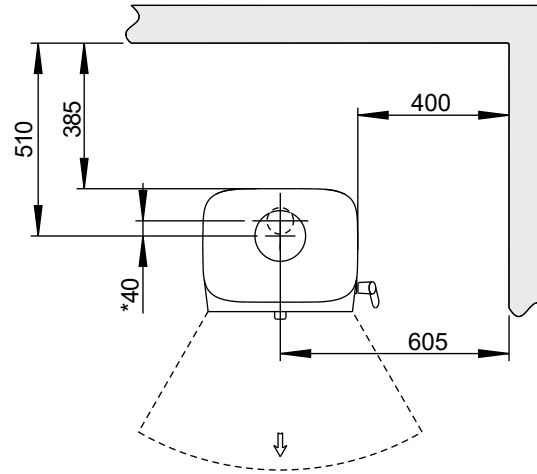
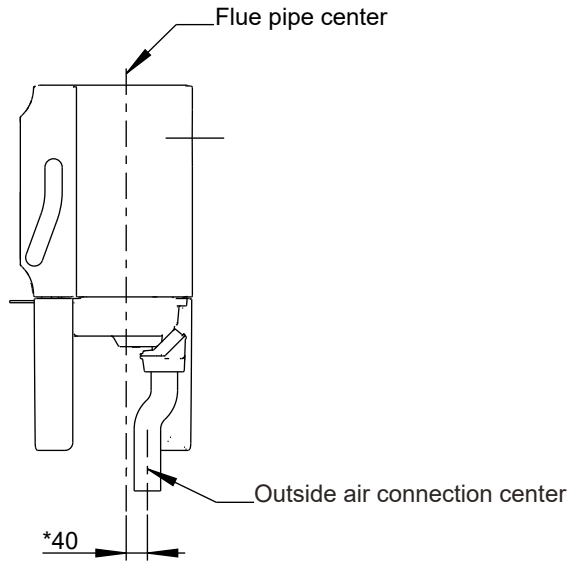
Min. measurements floorplate
 X / Y = According to national laws and regulations
 ** Min. distance to furniture / combustible material

* Outside air connection

Fig. 1 b

Jøtul F 105 R Min. distance to combustible wall

Combustible wall



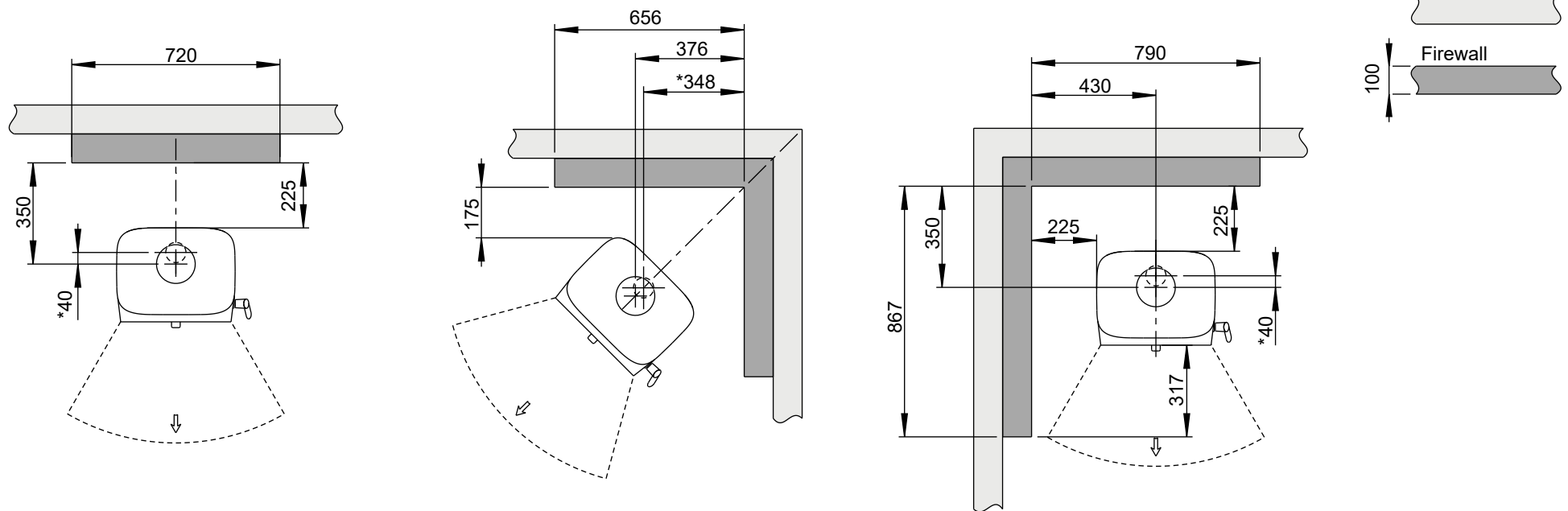
* Outside air connection

*** Distance to combustible wall with semi-insulated / shielded flue pipe (min.30 mm insulation)

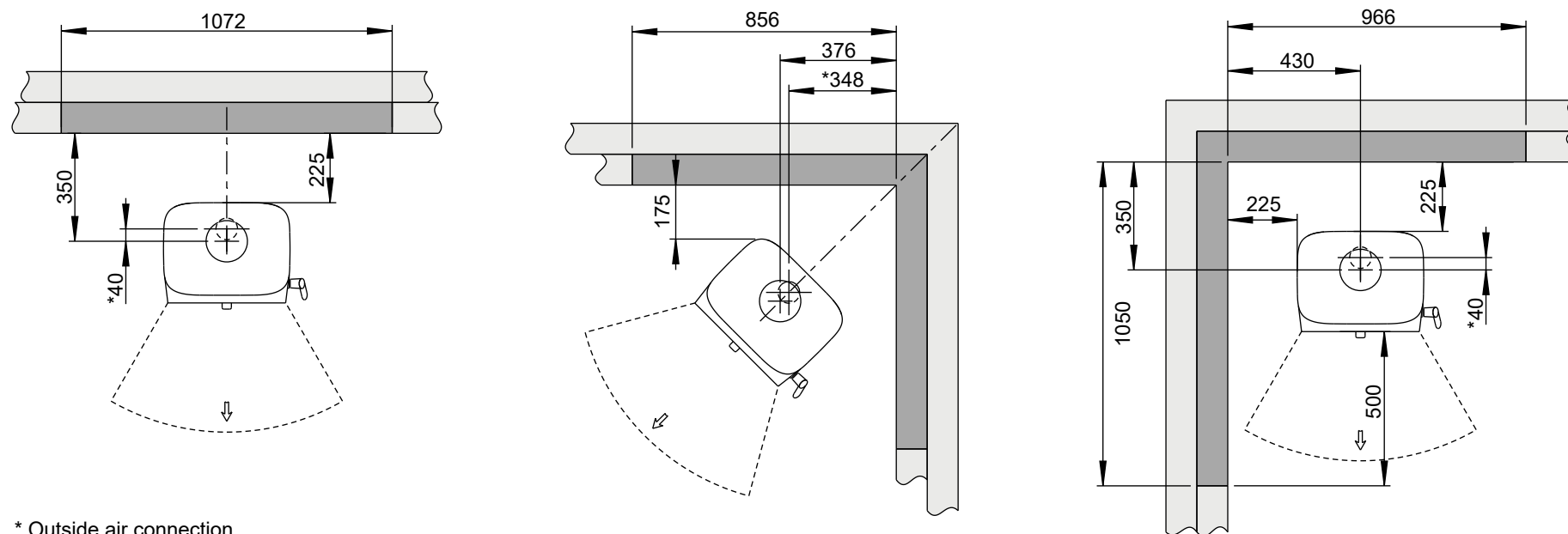
Fig. 1 c

Jøtul F 105 R Min. distance to combustibile wall protected by firewall

External



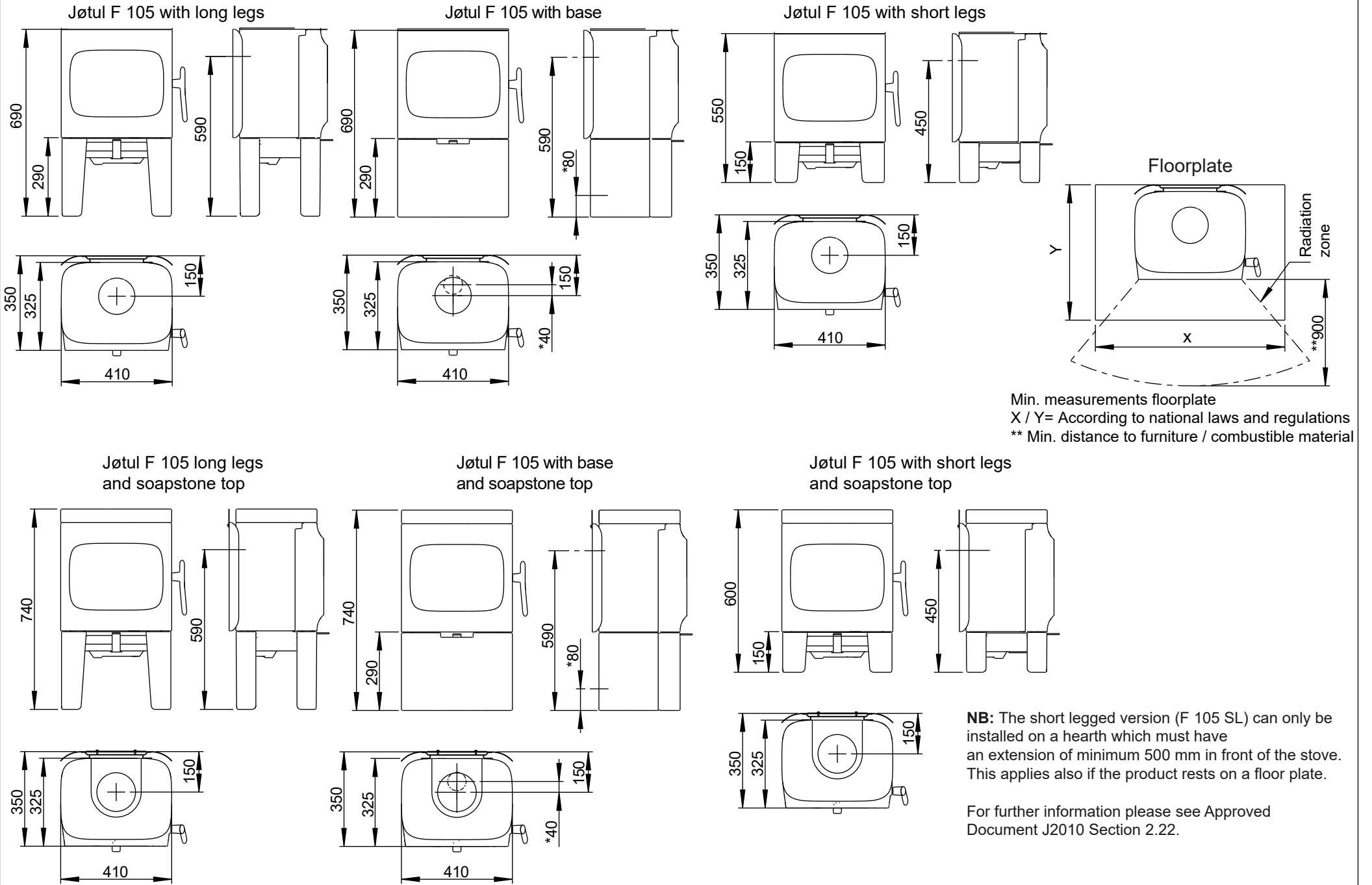
Integrated



* Outside air connection

Fig. 1 d

Jøtul F 105



Min. measurements floorplate
 X / Y= According to national laws and regulations
 ** Min. distance to furniture / combustible material

NB: The short legged version (F 105 SL) can only be installed on a hearth which must have an extension of minimum 500 mm in front of the stove. This applies also if the product rests on a floor plate.

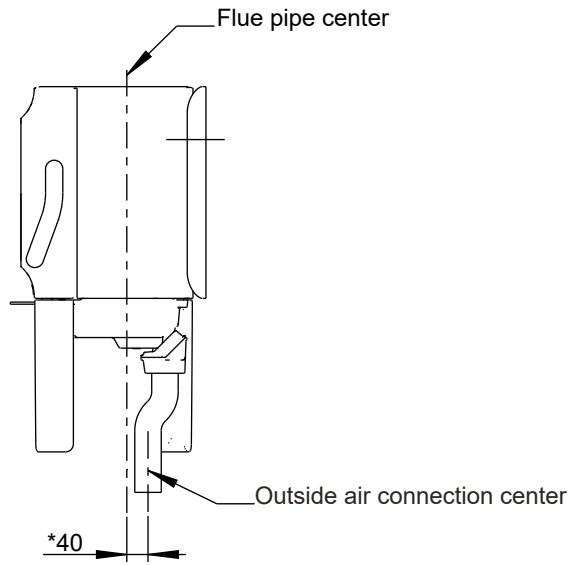
For further information please see Approved Document J2010 Section 2.22.

* Outside air connection

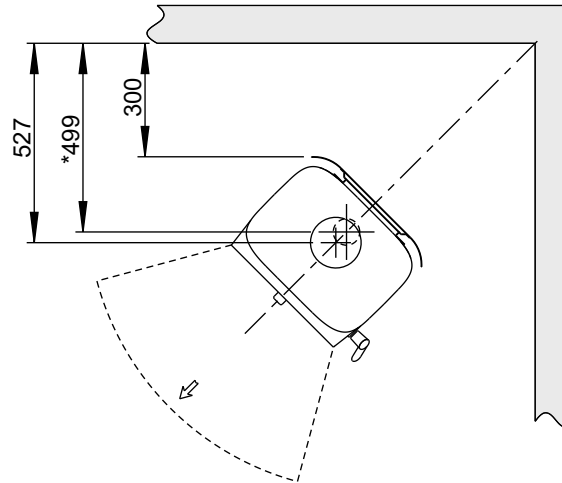
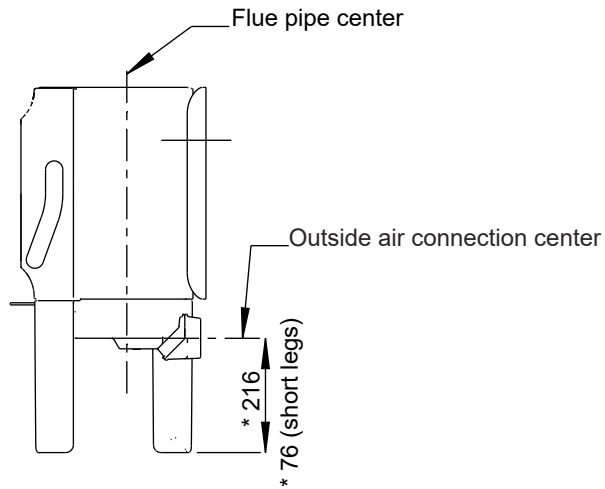
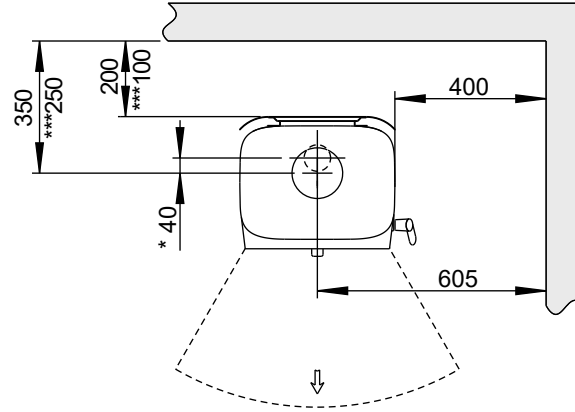
Fig. 1 e

Jøtul F 105 Min. distance to combustible wall

Combustible wall



Med standard konveksjonsplate



* Outside air connection

*** Distance to combustible wall with semi-insulated / shielded flue pipe (min.30 mm insulation)

Fig. 1 f

Jøtul F 105 Min. distance to combustibile wall protected by firewall

